

Performance

Lifting height — on tyres	6889.0 mm
Rated capacity	3500 kg
Capacity (at max. height on tyres)	3500 kg
Capacity (at max. reach on tyres)	1500 kg
Max. reach on tyres	4002.0 mm

Weights

Weight (unladen)	7330 kg
------------------	---------

Traction

Standard tyres	SOLIDEAL 405/70-20 14PR
1st gear / low range (40 km/h option)	6 (6) km/h
1st gear / high range (40 km/h option)	11 (12) km/h
2nd gear / low range (40 km/h option)	16 (18) km/h
2nd gear / high range (40 km/h option)	30 (40) km/h

Drive System

Main drive	Hydrostatic motor + 2 speed gearbox
Transmission	Hydrostatic with electronic regulation

Engine

Make / Model	Bobcat D34
Fuel	Diesel
Cooling	Coolant
Rated power (ISO 14396:2002) at 2400 RPM	74.5 kW
Maximum torque at 1400 RPM	430.0 Nm
Number of cylinders	4
Displacement	3.40 L

Hydraulic System

Pump type	Gear pump with LS valve
-----------	-------------------------

Cycle Times

Lift time - no load	8.0 s
Lower time - no load	6.0 s
Telescope in time at max. reach - no load	6.5 s
Telescope in time at max. height - no load	6.5 s
Telescope out time at max. reach - no load	7.1 s
Telescope out time at max. height - no load	7.1 s

Brakes

Engine braking	Hydrostatic
Parking and emergency brake	Passive brake

Fluid Capacities

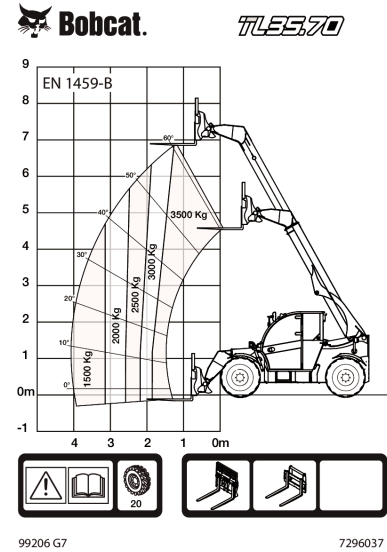
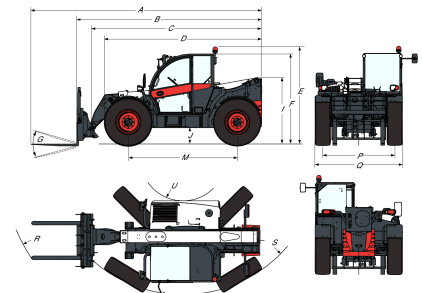
Fuel tank	138.00 L
Hydraulic reservoir	59.00 L

Environmental

Operator noise level (LpA) (EN 12053)	74 dB(A)
Level of acoustic power (LWA)	106 dB(A)
Whole body vibration (EN 13059)	1.20 ms ⁻²

Load Charts

With forks on 20 inch tyres


Dimensions


(-)	900.0 mm	(L)	1356.0 mm
(A)	6074.0 mm	(M)	2870.0 mm
(B)	4869.0 mm	(N)	643.0 mm
(C)	4763.0 mm	(O)	1013.0 mm
(D)	4058.0 mm	(P)	1895.0 mm
(E)	2477.0 mm	(Q)	2300.0 mm
(F)	2290.0 mm	(R)	4925.0 mm
(G)	135.0°	(S)	5015.0 mm
(I)	1668.0 mm	(T)	3714.0 mm
(J)	346.0 mm	(U)	1092.0 mm