

Weights

| | |
|--|-----------|
| Operating weight | 2565 kg |
| Additional weight for cab with heating | 130 kg |
| Additional weight for long dipperstick | 10 kg |
| Additional weight for counter weight | 183 kg |
| Ground pressure with rubber tracks | 25.50 kPa |

Engine

| | |
|-------------------------------|--------------------------|
| Make / model | Kubota / D1105-E2B-BCZ-2 |
| Fuel | Diesel |
| Number of cylinders | 3 |
| Displacement | 1123 cm ³ |
| Maximum NET power (ISO 9249) | 14.2 kW |
| Maximum NET torque (ISO 9249) | 65.8 Nm |

Performance

| | |
|--|----------|
| Digging force, dipperstick (ISO 6015) | 15800 N |
| Digging force, long dipperstick (ISO 6015) | 13200 N |
| Digging force, bucket (ISO 6015) | 22200 N |
| Drawbar pull | 30200 N |
| Travel speed, low range | 2.4 km/h |
| Travel speed, high range | 4.6 km/h |

Hydraulic System

| | |
|----------------------|---|
| Pump type | Dual outlet variable displacement piston pump with gear pumps |
| Piston pump capacity | 28.80 L/min |
| Auxiliary flow | 48.00 L/min |
| Auxiliary relief | 180.0 bar |

Slew System

| | |
|-------------------|---------|
| Boom swing, left | 60.0° |
| Boom swing, right | 60.0° |
| Slew rate | 9.3 RPM |

Fluid Capacities

| | |
|------------------------------------|---------|
| Cooling system | 4.60 L |
| Engine lubrication plus oil filter | 5.10 L |
| Fuel reservoir | 34.60 L |
| Hydraulic system | 25.00 L |

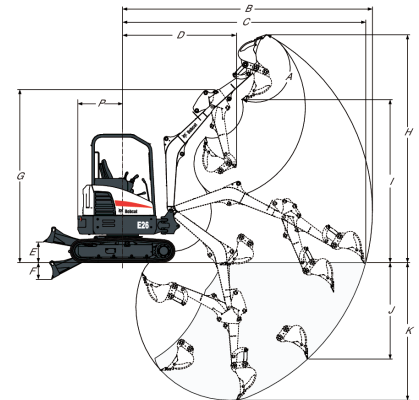
Environmental

| | |
|--|-----------------------|
| Noise level LpA(EU Directive 2006/42/EC) | 77 dB(A) |
| Noise level LWA(EU Directive 2000/14/EC) | 93 dB(A) |
| Whole body vibration (ISO 2631-1) | 0.17 ms ⁻² |
| Hand-arm vibration (ISO 5349-1) | 0.63 ms ⁻² |

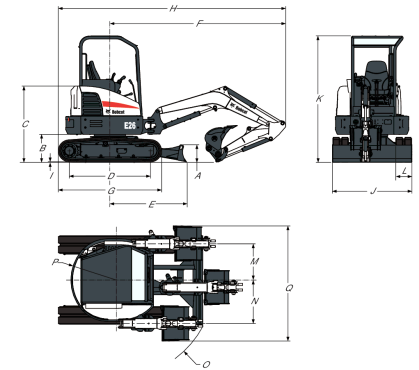
Standard Features

| | |
|--|--|
| 1515 mm dozer blade | Fingertip auxiliary hydraulic control |
| 300 mm rubber tracks | Horn |
| Auto shift travel | Hydraulic joystick controls |
| Auxiliary hydraulics with Quick Couplers | Retractable seat belt |
| Blade float feature | Suspension seat with high back |
| Clamp ready | TOPS/ROPS* canopy ¹ |
| Control console locks | Two-speed travel |
| Cupholder | Work lights (boom and upperstructure) |
| Engine/hydraulic monitor with shutdown | Warranty: 12 months, 2000 hours (whichever occurs first) |

1. Roll Over Protective Structure (ROPS) – Meets requirements of ISO 3471. Tip Over Protective Structure (TOPS) – Meets requirements of ISO 12117.

Working Range


| | | | |
|------|-----------|------|-----------|
| (A) | 185.0° | (G) | 3246.0 mm |
| (B) | 4552.0 mm | (H) | 4272.0 mm |
| (B*) | 4966.0 mm | (H*) | 4473.0 mm |
| (C) | 4678.0 mm | (I) | 3057.0 mm |
| (C*) | 4850.0 mm | (I*) | 3258.0 mm |
| (D) | 2132.0 mm | (J) | 1809.0 mm |
| (D*) | 2135.0 mm | (J*) | 2089.0 mm |
| (E) | 385.0 mm | (K) | 2582.0 mm |
| (F) | 315.0 mm | (K*) | 2890.0 mm |

Dimensions


| | | | |
|------|-----------|------|-----------|
| (A) | 330.0 mm | (J) | 1515.0 mm |
| (B) | 536.0 mm | (K) | 2412.0 mm |
| (C) | 1456.0 mm | (L) | 300.0 mm |
| (D) | 1543.0 mm | (M) | 614.0 mm |
| (E) | 1462.0 mm | (N) | 735.0 mm |
| (F) | 3345.0 mm | (O) | 1661.0 mm |
| (G) | 1965.0 mm | (P) | 770.0 mm |
| (H) | 4326.0 mm | (P*) | 840.0 mm |
| (H*) | 4864.0 mm | (Q) | 1949.0 mm |
| (I) | 25.0 mm | (R) | 1675.0 mm |

Options

| | |
|--|--|
| Auto idle | AM/FM stereo radio |
| TOPS/ROPS cab with heater | FOGS kit (Overhead guard) |
| Long dipperstick | Travel motion alarm |
| Additional counterweight | Steel tracks |
| 2nd Auxiliary hydraulics | Beacon kit |
| Deluxe textile suspension seat | Left and right mirror kit |
| Boom safety valve with overload warning | Additional work light kit |
| Boom & arm safety valves with overload warning | Fuel filter with transparent water separator |